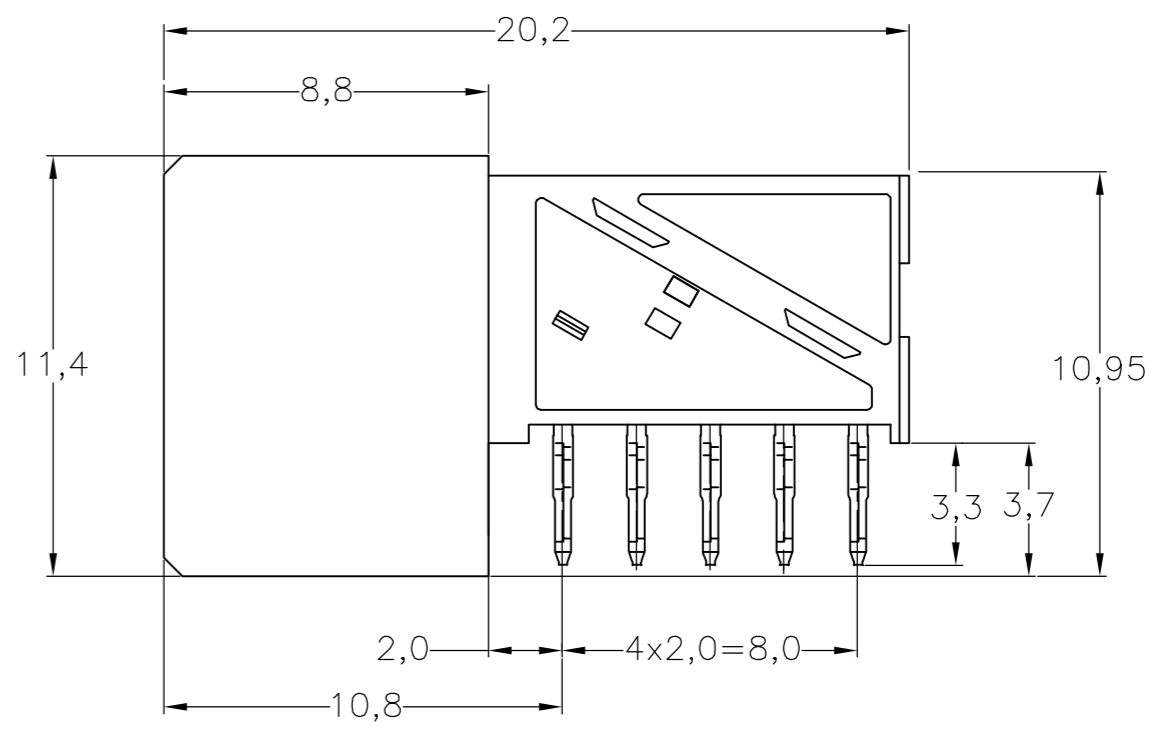
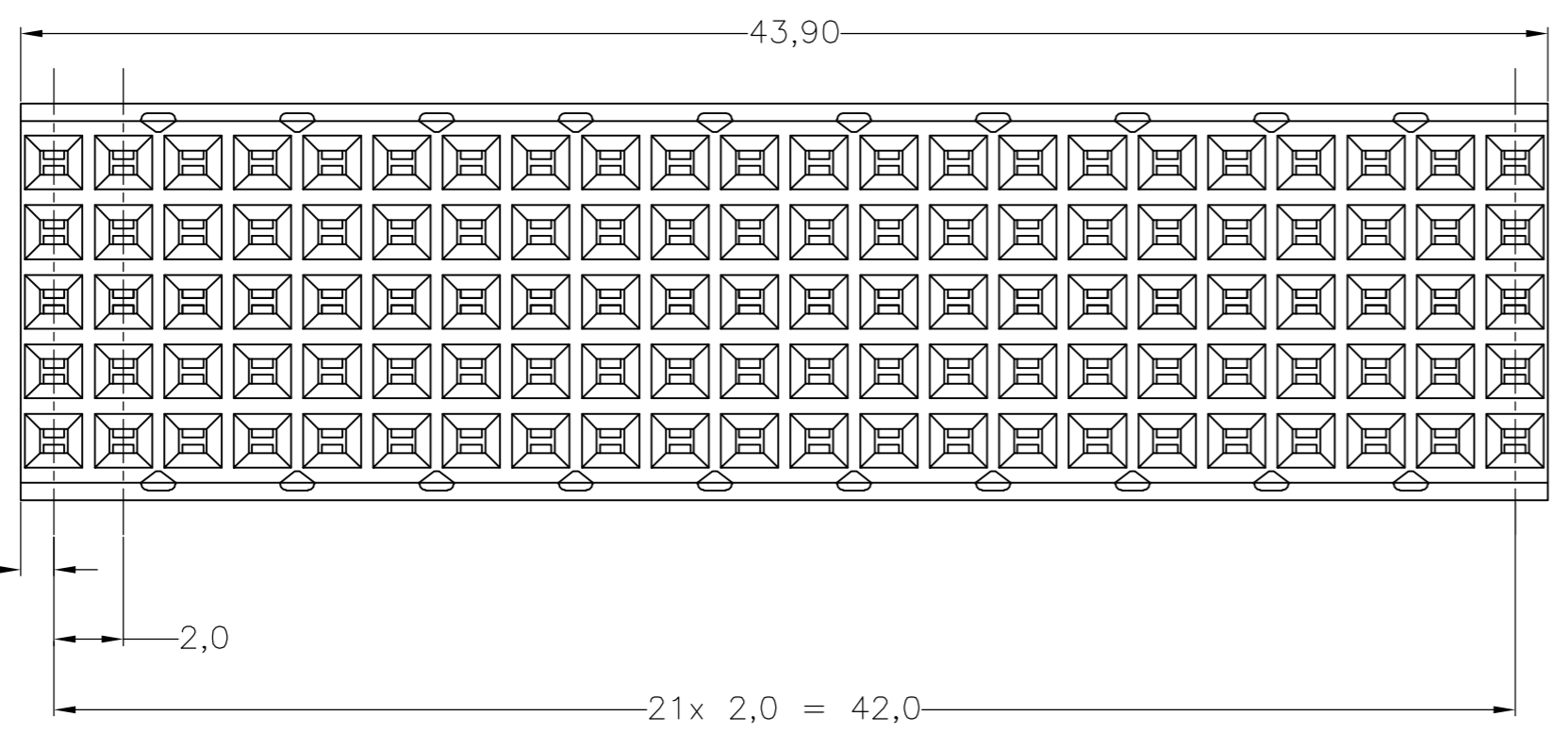
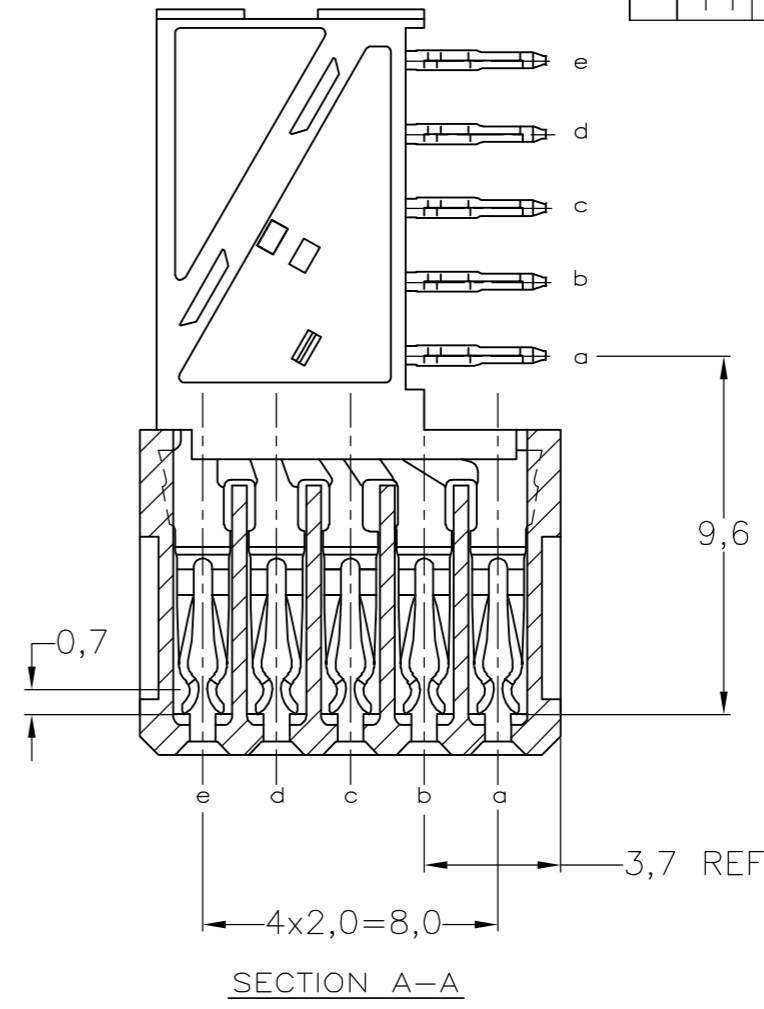
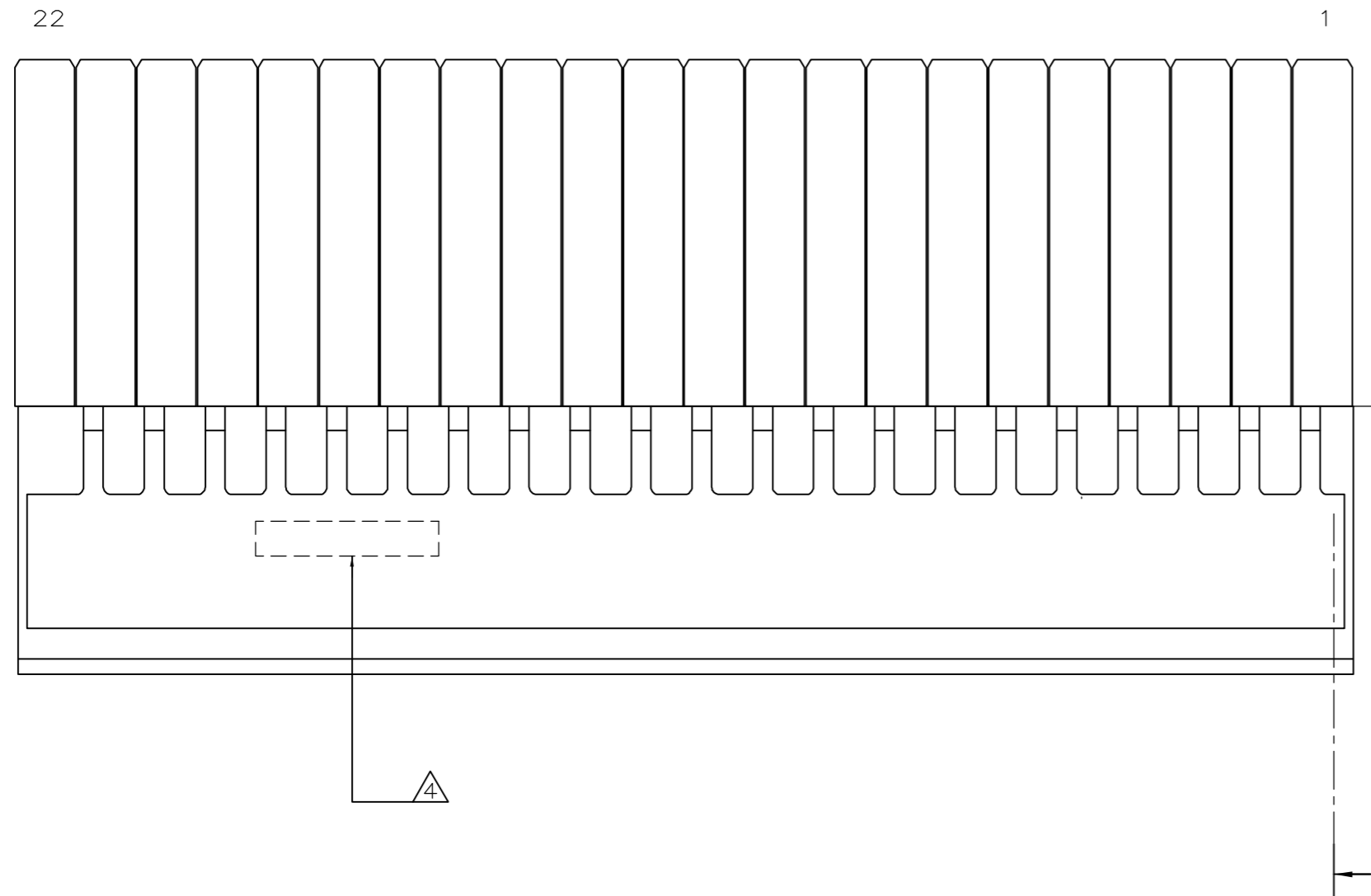
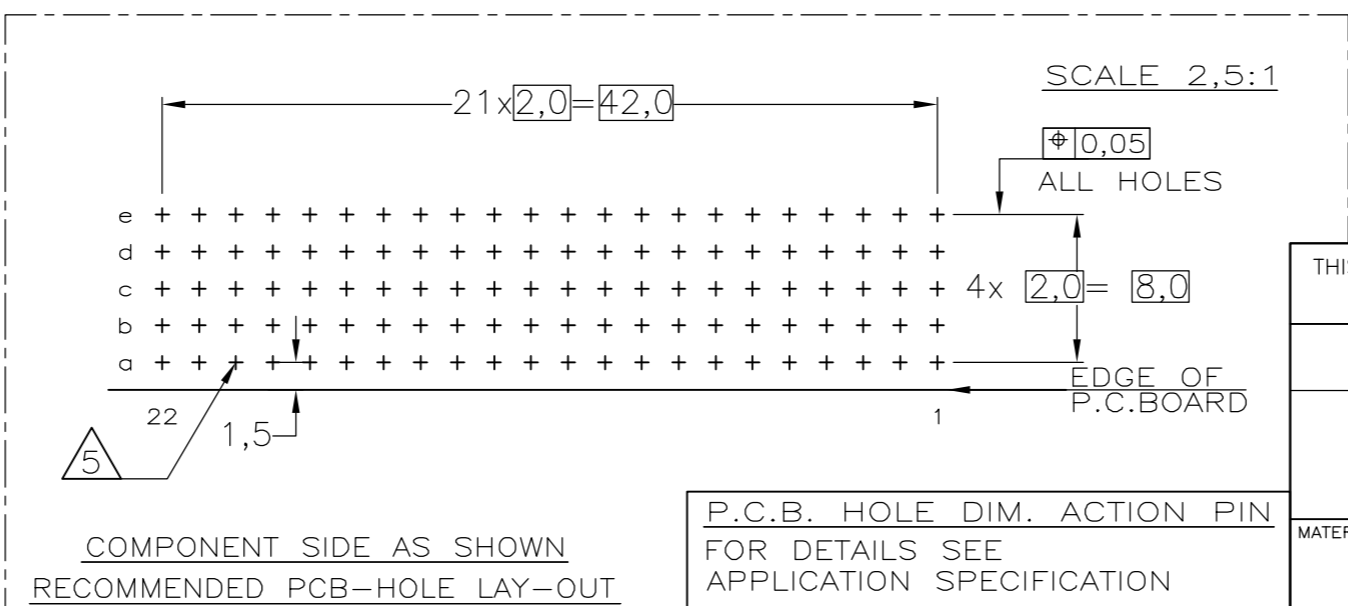


LOC		DIST		REVISIONS			
P	LTR	DESCRIPTION	DATE	DWN	APVD		
	E	EHC0-0195-04	12-05-04	DvdB	BM		
	F	EH10-0680-05	03-07-05	BSV	BM		
	F1	ECR-06-002635	07-02-06	BSV	BM		



- NOTES:
- 1 MATERIAL CONTACT; PHOSPHORBRONZE  
MATERIAL HOUSING; GLASSFILLED POLYESTER (GRAY)  
UL-RATING 94V0.
  - 2 GENERAL PLATING SPECIFICATION: UNDERPLATING (ENTIRE CONTACT):  
1,27µm NICKEL MIN. AND ACTION PIN: 0,5µm TIN-LEAD MIN.  
FOR PLATING OF MATING SURFACES SEE APPLICABLE SPECIFICATION  
REFERENCE FOR EACH DASH NUMBER.
  - 3 CONFORMS TO ALL TESTING ACCORDING IEC 61076-4-101  
PERFORMANCE LEVEL 2.
  - 4 CONNECTOR PRINTED WITH PARTNUMBER AND DATECODE
  - 5 PLATED-THROUGH HOLES AT 2x2mm SQUARE GRID. 110 HOLES
  - 6 FITS WITH INTEGRATED GROUND RETURN UPPERSHIELD  
BASIC P.N. 352151



P.C.B. HOLE DIM. ACTION PIN  
 FOR DETAILS SEE  
 APPLICATION SPECIFICATION

THIS DRAWING IS A CONTROLLED DOCUMENT.

DIMENSIONS:	TOLERANCES UNLESS OTHERWISE SPECIFIED:
MM	
0 PLC	± -
1 PLC	± -
2 PLC	± -
3 PLC	± -
4 PLC	± -
ANGLES	± -
FINISH	

DWN	11FEB97
CHK	-
APVD	-
PRODUCT SPEC	108-19082
APPLICATION SPEC	114-19029
WEIGHT	-

FINISH	MATERIAL	188836-1	PARTNUMBER
		Tyco Electronics Corporation s-Hertogenbosch, Netherlands,	
NAME: Z-PACK 2MM HM 110 POS. FEMALE DAUGHTER CARD CONN. (22 COLUMNS)			
SIZE	CAGE CODE	DRAWING NO	RESTRICTED TO
A2	00779	188836	-
CUSTOMER DRAWING			SCALE NTS SHEET 1 OF 1 REV F1